

Forest Claw MSA 0.30



MAXIMUM HORIZONTAL
REACH
2,8m



MAXIMUM VERTICAL
REACH
3,2m



TURNING
ANGLE
210 °

EQUIPMENT
WEIGHT



Specifications - Garra MSA 0.30

MASAL

Forest Claw MSA 0.30



CLOSED



OPEN

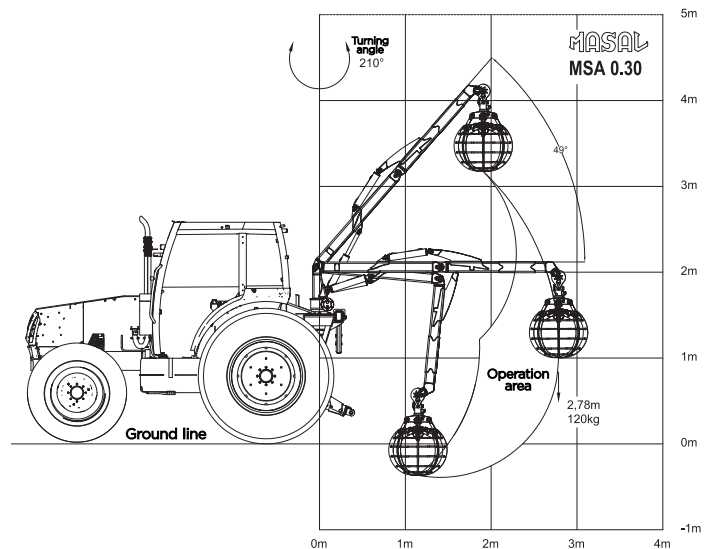
CHECK OUR WEBSITE



TECHNICAL SPECIFICATIONS

| | |
|--------------------------|----------------------|
| Payload moment | 300 km |
| Maximum working pressure | 180 bar |
| Equipment weight | 450 Kg |
| Minimum horizontal range | 1,5 m |
| Maximum horizontal range | 2,8 m |
| Maximum vertical reach | 3,2 m |
| Turning angle | 210 ° |
| Boom opening angle | 49 ° |
| Claw Cubing (Closed) | 0,093 m ³ |

CHART - OPERATION AREA



OUR STRENGTH IS TRADITION

AVAILABLE COLORS

PATTERN

OPTIONS



KNOW OUR PRODUCTS LINES

AGRICULTURAL



AIR BASKETS



CRANES



PLATAFORMS



MASAL INDUSTRY

Headquarters - Rua Alfredo Caetano,
02 Santo Antônio da Patrulha
Rio Grande do Sul / Brazil

(51) 3662-3066
www.masal.com.br

MASAL